

IAL: to apply phonic knowledge and skills to decode words.

Add sound buttons to the words below looking for digraphs **ow**, **ea**, **ie**, **er**.

cow

sea

pie

letter

herb

steam

brown

fried

Buried Treasure!

All of these treasure coins have words with the above digraphs. Sort the coins into either the treasure chest or the bin based on whether they are real or nonsense words.

hammer

feag

nief

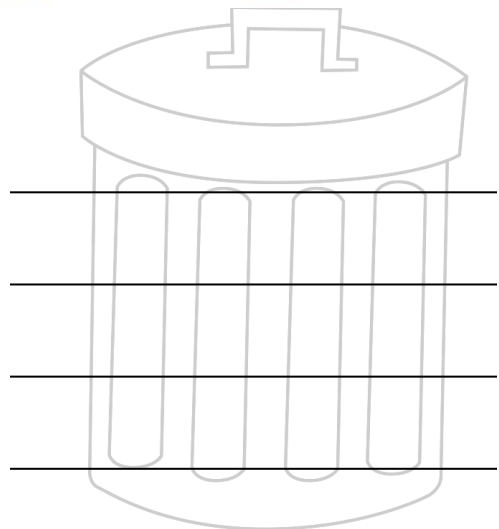
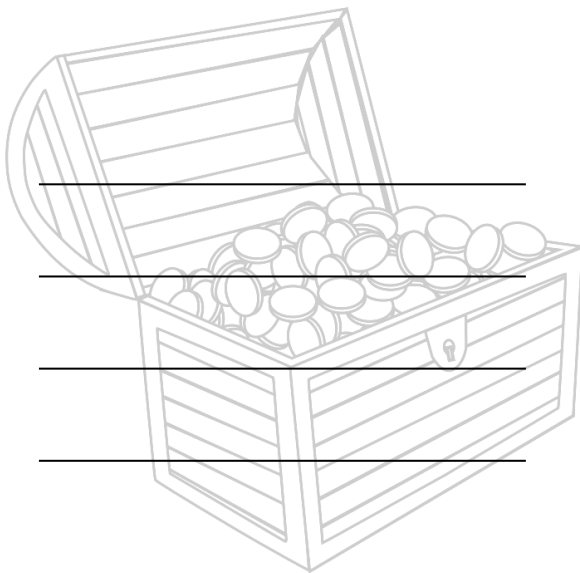
snow

lowd

cried

vaffer

treat



How many sentences can you write using the real words?

Spelling words this week:

was, says, here, where, once

IAL: to punctuate sentences accurately.

Choose A, B or C and complete the activity. If you would like to complete more than one activity, you can.

A

Copy and correct these sentences by putting capital letters and full stops in the correct places.

1. i have got a dog _____
2. my mum went to the shop _____
3. we are going. To town _____

B

Circle the mistakes and rewrite these sentences correctly using capital letters, full stops, question marks or exclamation marks.

1. my mum has a cat. And he is brown
2. what is your name
3. yesterday she went to the park and played on the Swings
4. what a big cat that is

C

Write your own sentences about the picture below.
Use the below punctuation in them.

capital letters	full stops	question marks	exclamation marks	Proper nouns
-----------------	------------	----------------	-------------------	--------------

